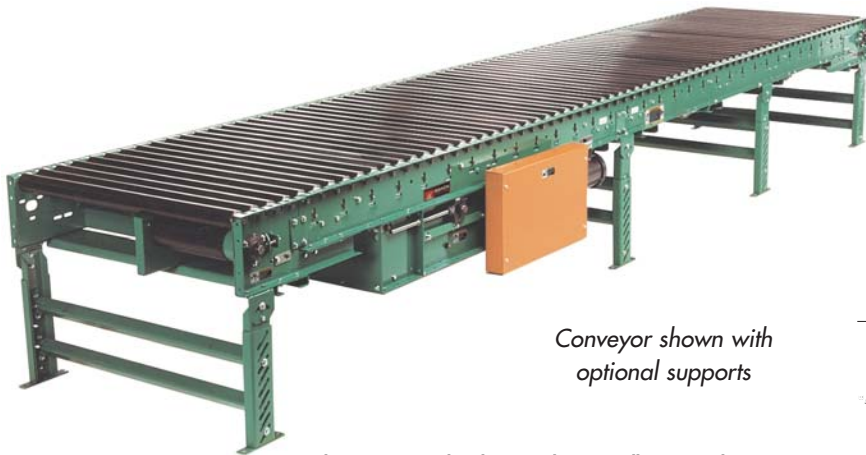


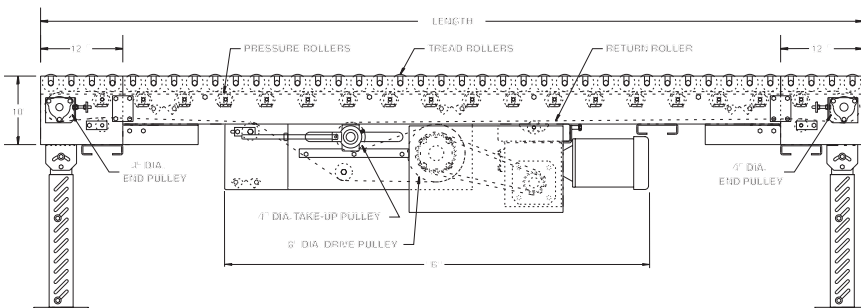
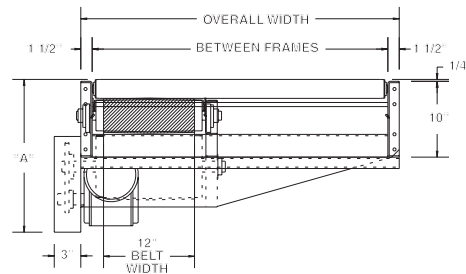
# MODEL 251CALR HEAVY DUTY CAM ADJUSTED LIVE ROLLER

24 HOUR SHIPMENTS INCLUDE ALL 1-FOOT INCREMENTS 6'-0" TO 100'-0"



Conveyor shown with optional supports

Roach 251CALR is the choice to horizontally convey heavier unit loads where transfers, side loading or unloading is required. Its standard center drive allows for reversible operation.



HP @ 35 FPM	"A"	"B" MAX.
1	17-5/8"	59-17/32"
1-1/2	18-1/8"	61-21/32"
2	19"	62-21/32"

NOTE: Chart applies for 8" dia. drive pulley only.

## SPECIFICATIONS

**TREAD ROLLERS:** 2-1/2" dia. x 11 ga. steel, model 251S.

**PRESSURE ROLLERS:** 1.9" dia. x 16 ga. steel, model 196S; same BF as conveyor up to 39" BF; units 43" BF and above, rollers are 21" BF with STANDARD 12" wide belt; 27" BF if OPTIONAL 24" belt is used.

**BELTING:** 12" wide PVC-120.

**RETURN ROLLERS:** 1.9" dia. x 16 ga. steel, model 196S, adjustable.

**CENTER DRIVE:** Reversible drive with 24" integral belt take-up. Specify location. For units under 8'-0" overall length, drive components must be stacked.

**END PULLEY:** 4" dia. with 1-3/16" dia. shaft on 15"-39" BF; 6" dia. with 1-7/16" dia. shaft above 39" BF; both crowned.

**DRIVE PULLEY:** 8" dia. with 1-7/16" dia. shaft on 15"-39" BF; 12" dia. with 1-15/16" dia. shaft above 39" BF; both crowned and fully lagged.

**BEARINGS:** All pulley bearings are precision, heavy duty, lubricated, ball bearing units with cast iron housings.

**BED:** 7" x 1-1/2" x 10 ga. formed steel channel frame slotted for tread rollers to pop-out. When unit is installed at 7'-0" elevation or higher, rollers must be retained in conveyor frame. Specify desired elevation. Bed sections attached with couplings and floor supports.

**MOTOR DRIVE:** 1 HP, 230/460/3, 60 cycle, ODP right angle gear motor.

**SPEED:** 35 FPM, constant.

**ROLLER CHAIN:** Drive pulley is driven by No. 50 chain for 1-1/2 HP or less and No. 60 chain on larger drives. Chain take-up provided on motor base.

**ELECTRICAL CONTROLS:** Optional.



### WARNING

Pop-out rollers should be retained in frame if unit is elevated to 7'-0" and above.

■ 24 hour shipment    ■ 3 week shipment

## SPECIFICATION TABLE

CONVEYOR LENGTH			6'	10'	15'	20'	25'	30'	40'	50'	60'	70'	80'	90'	100'
BF	OAW	BELT	Unit weights (lbs.) with 3" roller centers (For other centers, deduct weights below)												
15"	18"	12"	572	762	1036	1274	1548	1786	2298	2810	3322	3834	4346	4858	5370
	21"	12"	661	894	1221	1513	1840	2132	2751	3370	3989	4608	5227	5846	6465
	27"	12"	770	1055	1453	1810	2208	2565	3320	4075	4830	5585	6340	7095	7850
	33"	12"	872	1197	1663	2079	2541	2956	3833	4710	5587	6464	7341	8218	9095
39"	42"	12"	968	1345	1863	2335	2853	3325	4315	5305	6295	7285	8275	9265	10255
	43"	12"	1064	1493	2063	2591	3165	3694	4797	5900	7003	8106	9209	10312	11415
	51"	12"	1160	1641	2263	2847	3477	4063	5279	6495	7711	8927	10143	11359	12575
	57"	12"	1256	1789	2463	3103	3789	4432	5761	7090	8419	9748	11077	12406	13735

Deduct the following weights (lbs.) for other than 3" centers

TREAD ROLLER CENTERS	15" BF	21" BF	27" BF	33" BF	39" BF	45" BF	51" BF	57" BF
	Per 10'	Per 10'	Per 10'	Per 10'	Per 10'	Per 10'	Per 10'	Per 10'
4-1/2"	-108	-136	-174	-208	-240	-272	-304	-336
6"	-178	-228	-292	-348	-402	-456	-510	-564
9"	-240	-308	-394	-470	-544	-618	-692	-766
12"	-266	-342	-438	-522	-602	-682	-762	-842

## OPTIONAL EQUIPMENT

**END DRIVE:** Mounted underneath conveyor. Minimum possible height is 20" TOR for underneath mounted end drive. Belt take-up required for end drive (if substituting end drive for center drive).

**SIDE MOUNTED END DRIVE:** Provides overall conveyor height of 14-1/4". Specify elevation required on order.

**AUXILIARY TAKE-UP:** Provides 24" of belt take-up. Specify location. See Power Accessories.

**GUARD RAILS:** Formed steel fixed model HFSG in 2", 4" and 6" heights; 1-1/2" angle model HGA1-1/2). See Conveyor Accessories.

**CEILING HANGERS:** 5/8" dia. threaded rod with hardware to attach rods to conveyor. Provides 6' clearance between ceiling and TOR (furnished in place of floor supports). Consult factory.

**BELTING:** 12" wide black PVC-150; 24" wide PVC-120.

**FLOOR SUPPORTS:** Supports, knee braces, casters and polytier supports available. See Conveyor Accessories.

**SPEED:** Constant speed 8-120 FPM (12" dia. drive pulley); DC variable speed; AC inverter variable speed. Other constant or variable speeds available. **NOTE:** CAPACITY CHANGES WITH SPEED.

**MOTORS:** Available through 3 HP in TEFC, explosion proof, dirty duty, brake motor, 115/230/1, 575/3, etc.

**ELECTRICAL CONTROLS:** Magnetic starter (one direction or reversible); One direction manual starter; Momentary start/stop push button station; Forward/reversing /stop push button station. Mounting and pre-wiring for units up to 12' long.



**CALR CAM AND SERIAL PLATE**